

THIS DRAWING IS UNPUBLISHED.

RELEASED FOR PUBLICATION

20

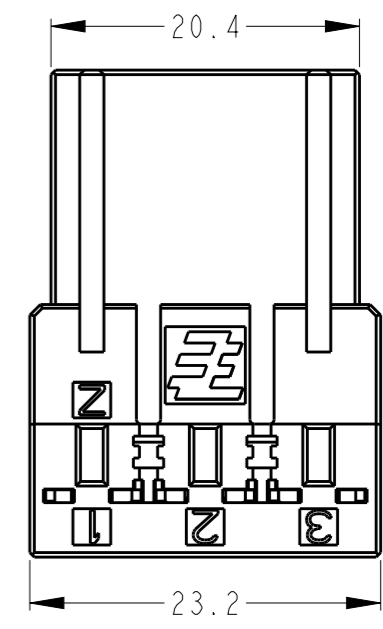
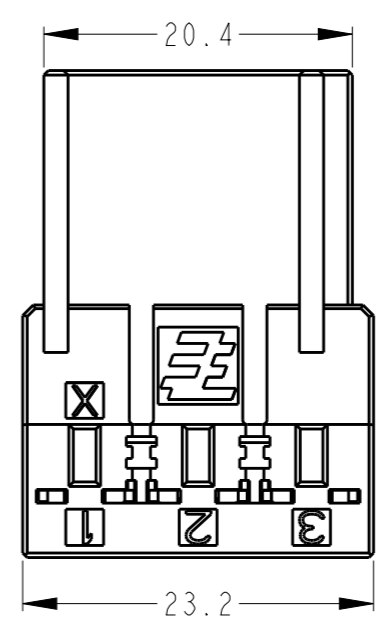
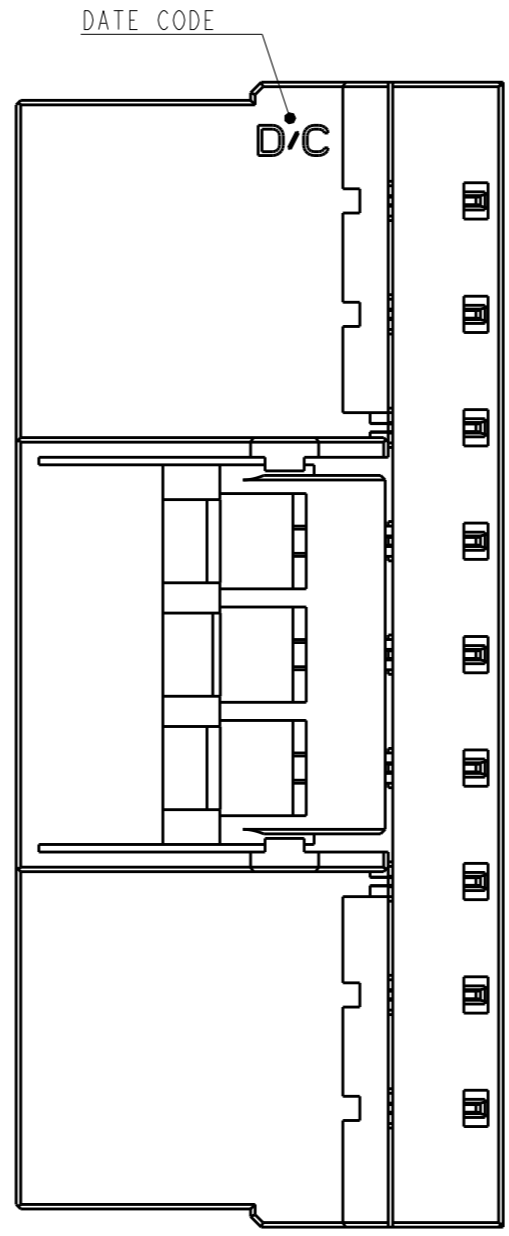
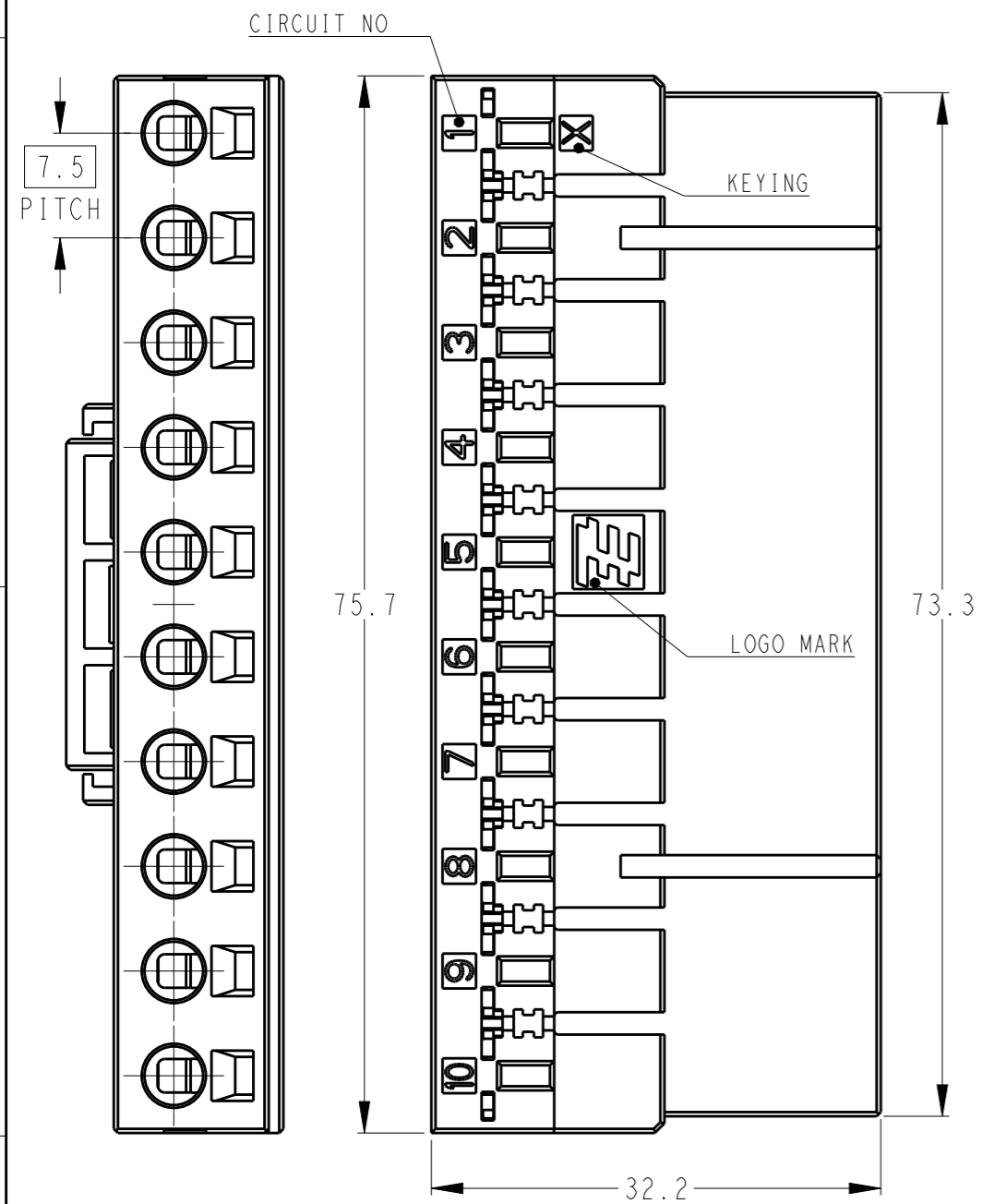
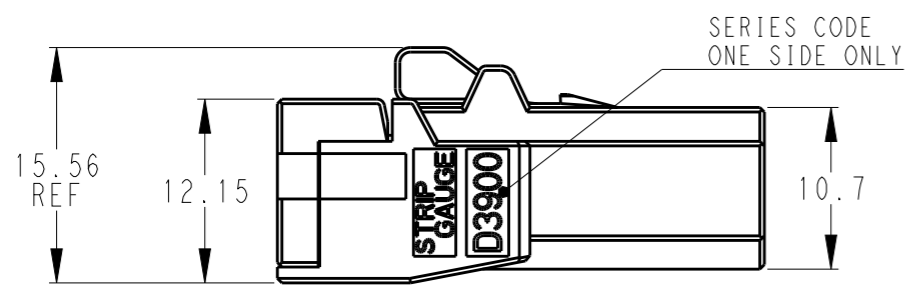
© COPYRIGHT 2011JUN BY Tyco Electronics Japan G.K. ALL RIGHTS RESERVED.

LOC J DIST -

REVISIONS

P	LTR	DESCRIPTION	ECN	DATE	DWN	APVD
A		RELEASED		19APR2010	T.K	T.M
B		ADDITION PART NO		02JUN2011	M.M	N.Y
C		REVISED		17JUN2014	H.O	N.Y

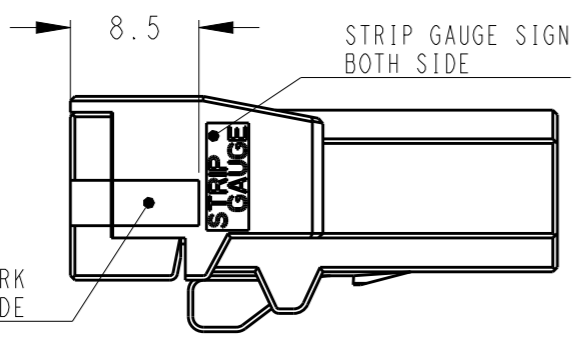
1-2134249-0 (10POS, X-KEY)



- 1. MATERIAL:
HOUSING : THERMO PLASTIC POLYESTER (BLACK)
- 2. MATERIAL:
CONTACT : COPPER ALLOY
FINISH : (ALL OVER)
NICKEL PLATED 0.00127mmMIN (CONTACT AREA)
GOLD PLATED 0.00038mmMIN OVER NICKEL (SPRING AREA)
TIN PLATED 0.002mmMIN OVER NICKEL
- 3. MATERIAL:
SPRING : STAINLESS STEEL

4. SEE INSTRUCTION SHEET 411-78272

3	Z	3-2134249-3
10	X	1-2134249-0
3	X	1-2134249-3
POS	KEY	PART NO



THIS DRAWING IS A CONTROLLED DOCUMENT.

DIMENSIONS:	TOLERANCES UNLESS OTHERWISE SPECIFIED:
mm	$\pm 0.3, \pm 5^\circ$
0 PLC	\pm
1 PLC	\pm
2 PLC	\pm
3 PLC	\pm
4 PLC	\pm
ANGLES	\pm
MATERIAL	FINISH
1 2 3	2

DWN	T. KUDO	19APR2010
CHK	N. YAMASAKI	19APR2010
APVD	N. YAMASAKI	19APR2010
PRODUCT SPEC	108-78400	
APPLICATION SPEC	-	
WEIGHT	-	
CUSTOMER DRAWING		

STE TE Connectivity

NAME: DYNAMIC D3900S 7.5mmPITCH REC ASSY (SPRING CLAMP TYPE) 3, 10POS TYPE-A

SIZE	CAGE CODE	DRAWING NO	RESTRICTED TO
A3	00779	C-2134249	-

SCALE 2:1 SHEET 1 OF 1 REV C